

Metallized Polyester Film Capacitors—Mini Box

Reference Standard

GB/T7332-96 (IEC384-2)

Structures

Material: Polyester film
 Electrode: Metallized Vacuum Evaporated Layer(Aluminum)
 Enveloped with Fire-proof Epoxy Resin in the PBT
 Fireproof plastic case.

Using area

DC and Low Pulse Circuit, widely using in
 ColorTV Set,SPC exchanger and military
 complete machines etc.

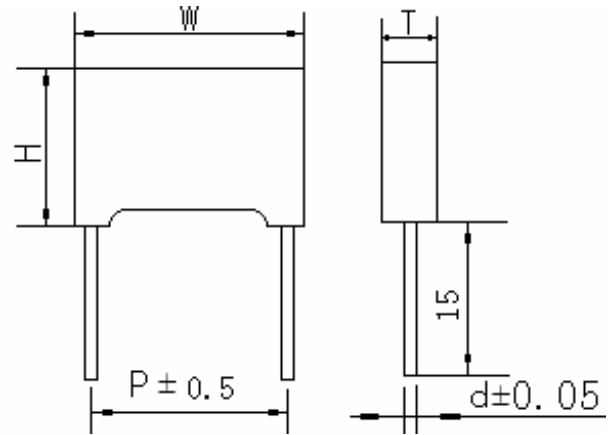
Features:

Small Size with good self-healing effect.
 Well outer looking with high reliable using

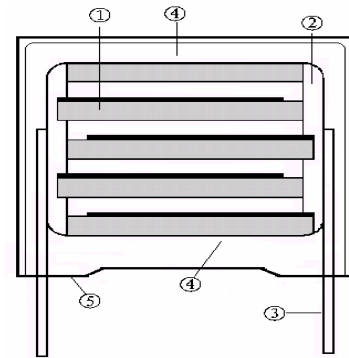
Specification

Climate Conditions	-40--+85℃		
Rated Voltage vdc	63V,100V;250V;400V		
Capacitance Range	0.001μF-1.0μF		
Capacitance Tolerance	±5% ±10%		
Testing Voltage	1.6UR (5S)		
IR and Time Consistence	≤0.33μF	UR>100V	≥7500MΩ
		UR≤100V	≥3750 MΩ
	>0.33μF	UR>100V	2500S (MΩ.μF)
		UR≤100V	1250S (MΩ.μF)
Dissipation Factor	≤0.01	1kHz	20℃
Climate Category	Temperature: 40±2℃ Humidity: 93%RH Lasting Time: 21 Days There is no visible damage with the clearly mark. Capacitance: ΔC/C≤5% Dissipation Factor (1KHz): Increasing≤0.005 Insulation Resistance IR: ≥50% of Rated		
Endurance Test	+85℃, 1000h Applying Voltage : 1.25*Rate Voltage Capacitance : ΔC/C≤5% Capacitance: ΔC/C≤5% Insulation Resistance IR: ≥50% of Rated		
dv/dt (v/μs)	V		dv/dt (v/μs)
	63		250
	100		300
	250		400
	400		600

Outline Drawing



Structures



Explanation:

- ① Metallized Polyester Film
- ② Mental Spray Layer
- ③ CP Leads
- ④ Epoxy Resin
- ⑤ PBT Fire-proof plastic case
- ⑥ ROHS Compliant

Metallized Polyester Film -Mini Box

Cap.	Part No.	Dimensions			Pitch (mm)
		W±1.0	T ±1.0	H±1.0	
63VDC					
102	MEM102J0M100	7.2	2.5	6.5	5.0
122	MEM122J0M100	7.2	2.5	6.5	5.0
152	MEM152J0M100	7.2	2.5	6.5	5.0
182	MEM182J0M100	7.2	2.5	6.5	5.0
222	MEM222J0M100	7.2	2.5	6.5	5.0
272	MEM272J0M100	7.2	2.5	6.5	5.0
332	MEM332J0M100	7.2	2.5	6.5	5.0
392	MEM392J0M100	7.2	2.5	6.5	5.0
472	MEM472J0M100	7.2	2.5	6.5	5.0
562	MEM562J0M100	7.2	2.5	6.5	5.0
682	MEM682J0M100	7.2	2.5	6.5	5.0
822	MEM822J0M100	7.2	2.5	6.5	5.0
103	MEM103J0M100	7.2	2.5	6.5	5.0
123	MEM123J0M100	7.2	2.5	6.5	5.0
153	MEM153J0M100	7.2	2.5	6.5	5.0
183	MEM183J0M100	7.2	2.5	6.5	5.0
223	MEM223J0M100	7.2	2.5	6.5	5.0
273	MEM273J0M100	7.2	2.5	6.5	5.0
333	MEM333J0M100	7.2	2.5	6.5	5.0
393	MEM393J0M100	7.2	2.5	6.5	5.0
473	MEM473J0M100	7.2	2.5	6.5	5.0
563	MEM563J0M100	7.2	2.5	6.5	5.0
683	MEM683J0M100	7.2	2.5	6.5	5.0
823	MEM823J0M100	7.2	2.5	6.5	5.0
104	MEM104J0M100	7.2	2.5	6.5	5.0
124	MEM124J0M100	7.2	2.5	6.5	5.0
154	MEM154J0M200	7.2	3.5	7.5	5.0
184	MEM184J0M200	7.2	3.5	7.5	5.0
224	MEM224J0M200	7.2	3.5	7.5	5.0
274	MEM274J0M300	7.2	4.5	9.5	5.0
334	MEM334J0M300	7.2	4.5	9.5	5.0
394	MEM394J0M300	7.2	4.5	9.5	5.0
474	MEM474J0M400	7.2	5.0	10.0	5.0
564	MEM564J0M400	7.2	5.0	10.0	5.0
684	MEM684J0M500	7.2	6.0	11.0	5.0
824	MEM824J0M500	7.2	6.0	11.0	5.0
105	MEM105J0M500	7.2	6.0	11.0	5.0
400VDC					
102	MEM102J4M100	7.2	2.5	6.5	5.0
122	MEM122J4M100	7.2	2.5	6.5	5.0
152	MEM152J4M100	7.2	2.5	6.5	5.0
182	MEM182J4M100	7.2	2.5	6.5	5.0
222	MEM222J4M100	7.2	2.5	6.5	5.0
272	MEM272J4M100	7.2	2.5	6.5	5.0
332	MEM332J4M100	7.2	2.5	6.5	5.0
392	MEM392J4M100	7.2	2.5	6.5	5.0
472	MEM472J4M100	7.2	2.5	6.5	5.0
562	MEM562J4M200	7.2	3.5	7.5	5.0
682	MEM682J4M200	7.2	3.5	7.5	5.0
822	MEM822J4M200	7.2	3.5	7.5	5.0
103	MEM103J4M200	7.2	3.5	7.5	5.0
123	MEM123J4M300	7.2	4.5	9.5	5.0
153	MEM153J4M300	7.2	4.5	9.5	5.0
183	MEM183J4M300	7.2	4.5	9.5	5.0
223	MEM223J4M400	7.2	5.0	10.0	5.0
273	MEM273J4M500	7.2	6.0	11.0	5.0
333	MEM333J4M500	7.2	6.0	11.0	5.0
393	MEM393J4M500	7.2	6.0	11.0	5.0
473	MEM473J4M500	7.2	6.0	11.0	5.0

Cap.	Part No.	Dimensions			Pitch (mm)
		W±1.0	T ±1.0	H±1.0	
100VDC					
102	MEM102J1M100	7.2	2.5	6.5	5.0
122	MEM122J1M100	7.2	2.5	6.5	5.0
152	MEM152J1M100	7.2	2.5	6.5	5.0
182	MEM182J1M100	7.2	2.5	6.5	5.0
222	MEM222J1M100	7.2	2.5	6.5	5.0
272	MEM272J1M100	7.2	2.5	6.5	5.0
332	MEM332J1M100	7.2	2.5	6.5	5.0
392	MEM392J1M100	7.2	2.5	6.5	5.0
472	MEM472J1M100	7.2	2.5	6.5	5.0
562	MEM562J1M100	7.2	2.5	6.5	5.0
682	MEM682J1M100	7.2	2.5	6.5	5.0
822	MEM822J1M100	7.2	2.5	6.5	5.0
103	MEM103J1M100	7.2	2.5	6.5	5.0
123	MEM123J1M100	7.2	2.5	6.5	5.0
153	MEM153J1M100	7.2	2.5	6.5	5.0
183	MEM183J1M100	7.2	2.5	6.5	5.0
223	MEM223J1M100	7.2	2.5	6.5	5.0
273	MEM273J1M100	7.2	2.5	6.5	5.0
333	MEM333J1M100	7.2	2.5	6.5	5.0
393	MEM393J1M100	7.2	2.5	6.5	5.0
473	MEM473J1M100	7.2	2.5	6.5	5.0
563	MEM563J1M100	7.2	2.5	6.5	5.0
683	MEM683J1M100	7.2	2.5	6.5	5.0
823	MEM823J1M100	7.2	2.5	6.5	5.0
104	MEM104J1M200	7.2	3.5	7.5	5.0
124	MEM124J1M300	7.2	4.5	9.5	5.0
154	MEM154J1M300	7.2	4.5	9.5	5.0
184	MEM184J1M300	7.2	4.5	9.5	5.0
224	MEM224J1M400	7.2	5.0	10.0	5.0
274	MEM274J1M400	7.2	5.0	10.0	5.0
334	MEM334J1M500	7.2	6.0	11.0	5.0
394	MEM394J1M500	7.2	6.0	11.0	5.0
474	MEM474J1M500	7.2	6.0	11.0	5.0
564	MEM564J1M500	7.2	6.0	11.0	5.0
684	MEM684J1M500	7.2	6.0	11.0	5.0
824	MEM824J1M500	7.2	6.0	11.0	5.0
105	MEM105J1M500	7.2	6.0	11.0	5.0
630VDC					
102	MEM102J6M100	7.2	2.5	6.5	5.0
122	MEM122J6M100	7.2	2.5	6.5	5.0
152	MEM152J6M100	7.2	2.5	6.5	5.0
182	MEM182J6M200	7.2	3.5	7.5	5.0
222	MEM222J6M200	7.2	3.5	7.5	5.0
272	MEM272J6M200	7.2	3.5	7.5	5.0
332	MEM332J6M200	7.2	3.5	7.5	5.0
392	MEM392J6M200	7.2	3.5	7.5	5.0
472	MEM472J6M300	7.2	4.5	9.5	5.0
562	MEM562J6M300	7.2	4.5	9.5	5.0
682	MEM682J6M300	7.2	4.5	9.5	5.0
822	MEM822J6M300	7.2	4.5	9.5	5.0
103	MEM103J6M400	7.2	5.0	10.0	5.0
123	MEM123J6M500	7.2	6.0	11.0	5.0
153	MEM153J6M500	7.2	6.0	11.0	5.0

Cap.	Part No.	Dimensions			Pitch (mm)
		W±1.0	T ±1.0	H±1.0	
250VDC					
102	MEM102J2M100	7.2	2.5	6.5	5.0
122	MEM122J2M100	7.2	2.5	6.5	5.0
152	MEM152J2M100	7.2	2.5	6.5	5.0
182	MEM182J2M100	7.2	2.5	6.5	5.0
222	MEM222J2M100	7.2	2.5	6.5	5.0
272	MEM272J2M100	7.2	2.5	6.5	5.0
332	MEM332J2M100	7.2	2.5	6.5	5.0
392	MEM392J2M100	7.2	2.5	6.5	5.0
472	MEM472J2M100	7.2	2.5	6.5	5.0
562	MEM562J2M10	7.2	2.5	6.5	5.0
682	MEM682J2M100	7.2	2.5	6.5	5.0
822	MEM822J2M100	7.2	2.5	6.5	5.0
103	MEM103J2M100	7.2	2.5	6.5	5.0
123	MEM123J2M100	7.2	2.5	6.5	5.0
153	MEM153J2M100	7.2	2.5	6.5	5.0
183	MEM183J2M100	7.2	2.5	6.5	5.0
223	MEM223J2M200	7.2	3.5	7.5	5.0
273	MEM273J2M200	7.2	3.5	7.5	5.0
333	MEM333J2M200	7.2	3.5	7.5	5.0
393	MEM393J2M200	7.2	3.5	7.5	5.0
473	MEM473J2M300	7.2	4.5	9.5	5.0
563	MEM563J2M300	7.2	4.5	9.5	5.0
683	MEM683J2M300	7.2	4.5	9.5	5.0
823	MEM823J2M400	7.2	5.0	10.0	5.0
104	MEM104J2M400	7.2	5.0	10.0	5.0
124	MEM124J2M500	7.2	6.0	11.0	5.0
154	MEM154J2M500	7.2	6.0	11.0	5.0