

CL20 (MEA MET)

RoHS COMPLIANT



Metallized Polyester Film Capacitors--Axial

Reference Standard

GB7332 (IEC384-2)

Structures

Material: Polyester film

Electrode: Metallized Vacuum Evaporated Layer

Encapsulation: Wrap up with PET tape and

Encapsulated with Fire-proof Epoxy Resin

Shape: Cylinder or Elliptic

Pin: CP leads or PVC Electronic Tread

Using area

DC and Low Pulse Circuit .

E.g. Low Frequency Filter, Blocking of DC and Bypass.

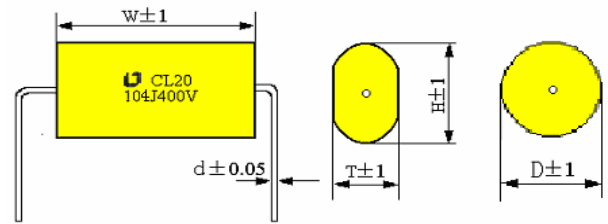
Could be used in all the CL21 compliant conditions.

Please do not use in the AC, filtering,

Features:

Small Size with good self-healing effect, high reliability.

Outline Drawing

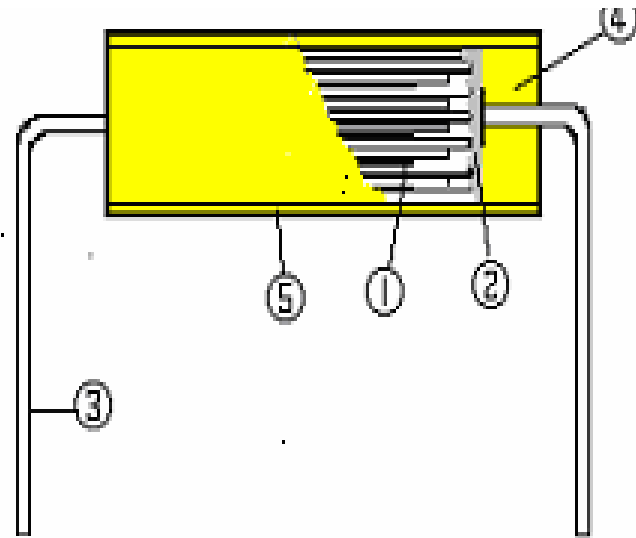


	MFA			MET		
Length mm	15	20	25	30	40	45
The Diameter of the Pin mm	0.6	0.8	0.8	0.8	1.0	1.2
PVC Flexible wires	22#	22#	22#	20#	18#	12#

Specification

Climate Conditions	-40--+85℃					
Rated Voltage vdc	100V、250V					
Capacitance Range	0.01μF-33μF					
Capacitance Tolerance	±5% ±10%					
Testing Voltage	1.6UR (5S)					
Insulation Resistance and Time Consistence	≤0.33μF	≥7500 MΩ				
	>0.33μF	≥2500S (MΩ.μF)				
Dissipation Factor	≤0.01	1kHz	20℃			
Climate Category	Temperature: 40±2℃ Humidity: 93%RH Lasting Time: 21 Days There is no visible damage with the clearly mark. Capacitance: ΔC/C≤5% Dissipation Factor (1KHz): Increasing≤0.005 IR: ≥50% of Rated					
Endurance Test	+85℃, 1000h Applying Voltage 1.25*Rate Voltage Capacitance: ΔC/C≤5% IR: ≥50% of Rated					
dv/dt (v/μs)	Length	15	20	25	30	35
	100/250V	20	10	8	5	5

Structures



Explanations:

- ① Metallized Polyester Film
- ② Metal Spray Layer
- ③ CP Wires or PVC Flexible wires
- ④ Epoxy Resin
- ⑤ PET Tape
- ⑥ ROHS Compliant

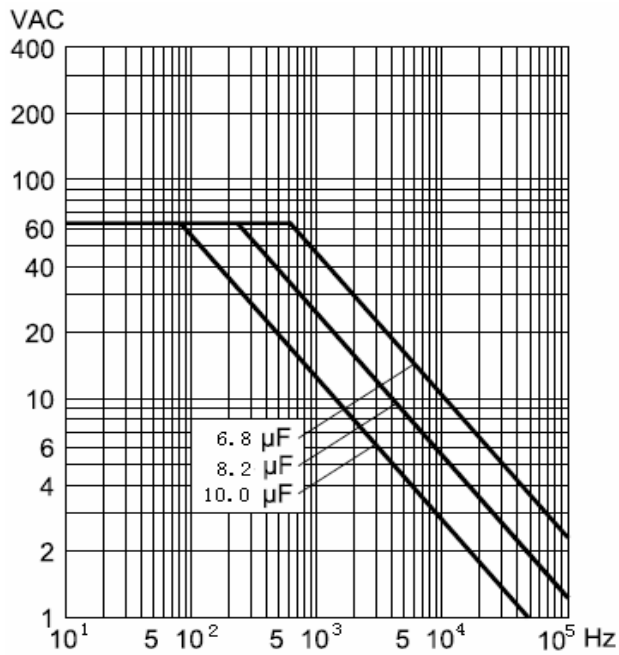
The exchanging of AC and DC

DC	100VDC	250VDC
AC	63VAC	160VAC

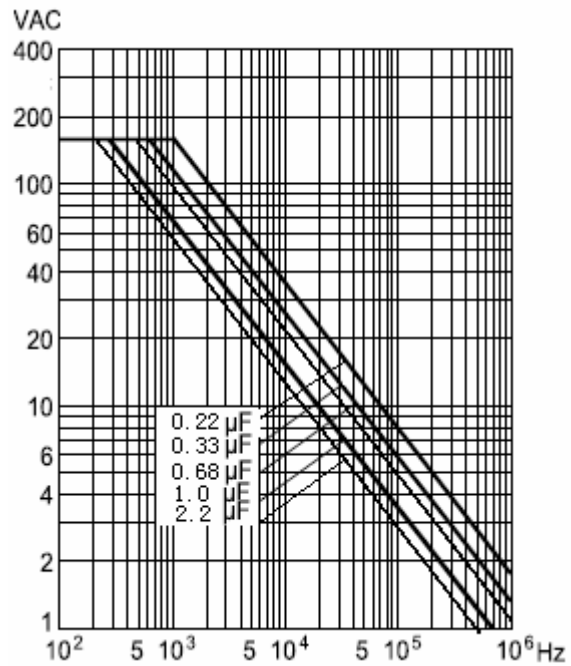
Metallized Polyester Film Capacitors--Axial

■The Relationship of AC Voltage Proof and Frequency

100VDC/63VAC



250VDC/160VAC



Metallized Polyester Film Capacitors-Axial

Cap.	Part No.	Dimensions (mm)		
		W±1.0	T ±1.0	H±1.0
100VDC				
685	MEA685K(J)132091700	32	9.0	17.0
685	MEA685K(J)135081600	35	8.0	16.0
825	MEA825K(J)132101800	32	10.0	18.0
825	MEA825K(J)135091700	35	9.0	17.0
106	MEA106K(J)132122000	32	12.0	20.0
106	MEA106K(J)135111900	35	11.0	19.0
126	MEA126K(J)132132100	32	13.0	21.0
126	MEA126K(J)135122000	35	12.0	20.0
156	MEA156K(J)145142200	35	14.0	22.0
186	MEA186K(J)145132100	45	13.0	21.0
206	MEA206K(J)145142200	45	14.0	22.0
226	MEA226K(J)145142200	45	14.0	22.0
256	MEA256K(J)145162300	45	16.0	23.0
276	MEA276K(J)145162400	45	16.0	24.0
306	MEA306K(J)145172500	45	17.0	25.0
336	MEA336K(J)145182600	45	18.0	26.0
Cap.	Part No.	Dimensions (mm)		
		W±1.0	T ±1.0	H±1.0
250VDC				
103	MEA103K(J)215040800	15	4.0	8.0
123	MEA123K(J)215050900	15	5.0	9.0
153	MEA153K(J)215050900	15	5.0	9.0
183	MEA183K(J)215040800	15	4.0	8.0
223	MEA223K(J)215040800	15	4.0	8.0
273	MEA273K(J)215050900	15	5.0	9.0
333	MEA333K(J)215050900	15	5.0	9.0
393	MEA393K(J)215050900	15	5.0	9.0
473	MEA473K(J)215040800	15	4.0	8.0
563	MEA563K(J)215040800	15	4.0	8.0
683	MEA683K(J)215050900	15	5.0	9.0
823	MEA823K(J)215040800	15	4.0	8.0
104	MEA104K(J)215040900	15	4.0	9.0
104	MEA104K(J)220040900	20	4.0	9.0
124	MEA124K(J)215040900	15	4.0	9.0
124	MEA124K(J)220040900	20	4.0	9.0
154	MEA154K(J)215040800	15	4.0	8.0
154	MEA154K(J)220051000	20	5.0	10.0
184	MEA184K(J)215040900	15	4.0	9.0
184	MEA184K(J)220040900	20	4.0	9.0
224	MEA224K(J)215050900	15	5.0	9.0
224	MEA224K(J)220040900	20	4.0	9.0
274	MEA274K(J)215051000	15	5.0	10.0
274	MEA274K(J)220051000	20	5.0	10.0
334	MEA334K(J)215061100	15	6.0	11.0
334	MEA334K(J)220040800	20	4.0	8.0
394	MEA394K(J)215061100	15	6.0	11.0
394	MEA394K(J)220040900	20	4.0	9.0
474	MEA474K(J)215071200	15	7.0	12.0
474	MEA474K(J)220051000	20	5.0	10.0
564	MEA564K(J)220051000	20	5.0	10.0
684	MEA684K(J)220061100	20	6.0	11.0
684	MEA684K(J)225051000	25	5.0	11.0
824	MEA824K(J)225071200	20	7.0	12.0
824	MEA824K(J)225051000	25	5.0	10.0
105	MEA105K(J)220071300	20	7.0	13.0

Cap.	Part No.	Dimensions (mm)	
		W±1.0	D ±1.0
100VDC			
685	MET685K(J)1321400	14.0	9.0
685	MET685K(J)1351300	13.0	8.0
825	MET825K(J)1321500	15.0	10.0
825	MET825K(J)1351400	14.0	9.0
106	MET106K(J)1321700	17.0	12.0
106	MET106K(J)1351600	16.0	11.0
126	MET126K(J)1321800	18.0	13.0
126	MET126K(J)1351700	17.0	12.0
156	MET156K(J)1351900	19.0	14.0
186	MET186K(J)1451800	18.0	13.0
206	MET206K(J)1451800	18.0	14.0
226	MET226K(J)1451900	19.0	14.0
256	MET256K(J)1452000	20.0	16.0
276	MET276K(J)1452100	21.0	16.0
306	MET306K(J)1452200	22.0	17.0
336	MET336K(J)1452300	23.0	18.0
Cap.	Part No.	Dimensions (mm)	
		W±1.0	D ±1.0
250VDC			
103	MET103K(J)2150700	15	7.0
123	MET123K(J)2150800	15	8.0
153	MET153K(J)2150800	15	8.0
183	MET183K(J)2150700	15	7.0
223	MET223K(J)2150700	15	7.0
273	MET273K(J)2150800	15	8.0
333	MET333K(J)2150800	15	8.0
393	MET393K(J)2150800	15	8.0
473	MET473K(J)2150700	15	7.0
563	MET563K(J)2150700	15	7.0
683	MET683K(J)2150800	15	8.0
823	MET823K(J)2150700	15	7.0
104	MET104K(J)2150700	15	7.0
104	MET104K(J)2200700	20	7.0
124	MET124K(J)2150800	15	8.0
124	MET124K(J)2200700	20	7.0
154	MET154K(J)2150700	15	7.0
154	MET154K(J)2200800	20	8.0
184	MET184K(J)2150700	15	7.0
184	MET184K(J)2200700	20	7.0
224	MET224K(J)2150800	15	8.0
224	MET224K(J)2200700	20	7.0
274	MET274K(J)2150800	15	8.0
274	MET274K(J)2200800	20	8.0
334	MET334K(J)2150900	15	9.0
334	MET334K(J)2200700	20	7.0
394	MET394K(J)2151000	15	10.0
394	MET394K(J)2200700	20	7.0
474	MET474K(J)2151000	15	10.0
474	MET474K(J)2200800	20	8.0
564	MET564K(J)2200800	20	8.0
684	MET684K(J)2200900	20	9.0
684	MET684K(J)2250800	25	8.0
824	MET824K(J)2201000	20	10.0
824	MET824K(J)2250800	25	8.0
105	MET105K(J)2201100	20	11.0

Cap.	Part No.	Dimensions (mm)		
		W±1.0	T ±1.0	H±1.0
250VDC				
105	MEA105K(J)225061100	25	6.0	11.0
125	MEA125K(J)220081400	20	8.0	14.0
125	MEA125K(J)225071100	25	7.0	11.0
155	MEA155K(J)225071300	25	7.0	13.0
185	MEA185K(J)225081400	25	8.0	14.0
225	MEA225K(J)220081400	20	8.0	14.0
225	MEA225K(J)225081600	25	8.0	16.0
225	MEA225K(J)232071300	32	7.0	13.0
275	MEA275K(J)232081400	32	8.0	14.0
305	MEA305K(J)232081600	32	8.0	16.0
305	MEA305K(J)235071500	35	7.0	15.0
335	MEA335K(J)232081600	30	8.0	16.0
335	MEA335K(J)235071500	32	7.0	15.0
395	MEA395K(J)232091700	32	9.0	17.0
395	MEA395K(J)235081600	35	8.0	16.0
475	MEA475K(J)232101800	32	10.0	18.0
475	MEA475K(J)235091700	35	9.0	17.0
565	MEA565K(J)232122000	32	12.0	20.0
565	MEA565K(J)235101800	35	10.0	18.0
685	MEA685K(J)232132100	32	13.0	21.0
685	MEA685K(J)235122000	35	12.0	20.0
825	MEA825K(J)232152300	32	15.0	23.0
825	MEA825K(J)235132100	35	13.0	21.0
106	MEA106K(J)245122000	35	12.0	20.0
126	MEA126K(J)245142200	45	14.0	22.0
156	MEA156K(J)245162400	45	16.0	24.0
186	MEA186K(J)245182500	45	18.0	25.0
206	MEA206K(J)245192700	45	19.0	27.0
226	MEA226K(J)245202800	45	20.0	28.0

Cap.	Part No.	Dimensions (mm)	
		W±1.0	D ±1.0
250VDC			
105	MET105K(J)2250900	25	9.0
125	MET125K(J)2201200	20	12.0
125	MET125K(J)2251000	25	10.0
155	MET155K(J)2251100	25	11.0
185	MET185K(J)2251200	25	12.0
225	MET225K(J)2201200	20	12.0
225	MET225K(J)2251300	25	13.0
225	MET225K(J)2321100	32	11.0
275	MET275K(J)2321200	32	12.0
305	MET305K(J)2321200	32	12.0
305	MET305K(J)2351100	35	11.0
335	MET335K(J)2321300	32	13.0
335	MET335K(J)2351200	35	12.0
395	MET395K(J)2321400	32	14.0
395	MET395K(J)2351300	35	13.0
475	MET475K(J)2321500	32	15.0
475	MET475K(J)2351400	35	14.0
565	MET565K(J)2321600	32	16.0
565	MET565K(J)2351500	35	15.0
685	MET685K(J)2321800	32	18.0
685	MET685K(J)2351600	35	16.0
825	MET825K(J)2321900	32	19.0
825	MET825K(J)2351800	35	18.0
106	MET106K(J)2451700	45	17.0
126	MET126K(J)2451900	45	19.0
156	MET156K(J)2452100	45	21.0
186	MET186K(J)2452200	45	22.0
206	MET206K(J)2452400	45	24.0
226	MET226K(J)2452500	45	25.0