

**Metallized Polyester Film Capacitors- Mini Shape**

■Reference Standard

GB7332 (IEC384-2)

■Structures

Material: Polyester film

Electrode: Metallized Vacuum Evaporated Layer (Aluminum)

Enveloped with Fire-proof Epoxy Resin

■Using area

DC and Low Pulse Circuit.

E.g. Low Frequency Filter, Blocking of DC , By-pass and coupling circuit.

■Features:

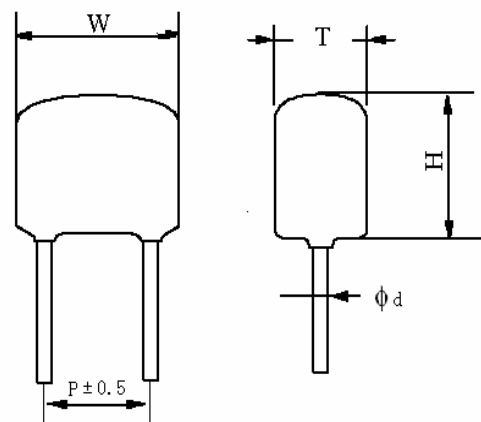
Small Size with good self-healing effect.

Well outer looking with high reliable using

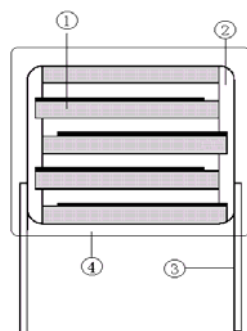
■Specification

Climate Conditions	-40--+85°C	
Rated Voltage vdc	63V;100V	
Capacitance Range	0.001μF-1.0μF	
Capacitance Tolerance	±5% ±10%	
Testing Voltage	1.6UR (5S)	
IR and Time Consistence	≤0.33μF	≥3750MΩ
	>0.33μF	≥1250S (MΩ.μF)
Dissipation Factor	≤0.01 1kHz 20°C	
Climate Category	Temperature: 40±2°C Humidity: 93%RH Lasting Time: 21 Days There is no visible damage with the clearly mark. Capacitance: ΔC/C≤5% Dissipation Factor ((1KHz): Increasing≤0.005 Insulation Resistance IR: ≥50% of Rated	
Endurance Test	+85°C, 1000h Applying Voltage: 1.25UR Capacitance: ΔC/C≤5% Insulation Resistance: ≥50% of Rated	

■Outline Drwaing



■Structure



Explanation:

- ①Metallized Polypester Film
- ②Mental Spay Layer
- ③CP Leads
- ④Epoxy Resin
- ⑤RoHS Compliant



## CL21X (MES) Dimension Lists

Cap.	Part No.	Dimensions (mm)			Pitch (mm)	Cap.	Part No.	Dimensions (mm)			Pitch (mm)
		W±1.0	T ±1.0	H±1.0				W±1.0	T ±1.0	H±1.0	
63VDC						100VDC					
102	MES102J007040700	7.3	4.0	7.0	5.0	102	MES102J107040700	7.3	4.0	7.0	5.0
122	MES122J007040700	7.3	4.0	7.0	5.0	122	MES122J107040700	7.3	4.0	7.0	5.0
152	MES152J007040700	7.3	4.0	7.0	5.0	152	MES152J107040700	7.3	4.0	7.0	5.0
182	MES182J007040700	7.3	4.0	7.0	5.0	182	MES182J107040700	7.3	4.0	7.0	5.0
222	MES222J007040700	7.3	4.0	7.0	5.0	222	MES222J107040700	7.3	4.0	7.0	5.0
272	MES272J007040700	7.3	4.0	7.0	5.0	272	MES272J107040700	7.3	4.0	7.0	5.0
332	MES332J007040700	7.3	4.0	7.0	5.0	332	MES332J107040700	7.3	4.0	7.0	5.0
392	MES392J007040700	7.3	4.0	7.0	5.0	392	MES392J107040700	7.3	4.0	7.0	5.0
472	MES472J007040700	7.3	4.0	7.0	5.0	472	MES472J107040700	7.3	4.0	7.0	5.0
562	MES562J007040700	7.3	4.0	7.0	5.0	562	MES562J107040700	7.3	4.0	7.0	5.0
682	MES682J007040700	7.3	4.0	7.0	5.0	682	MES682J107040700	7.3	4.0	7.0	5.0
822	MES822J007040700	7.3	4.0	7.0	5.0	822	MES822J107040700	7.3	4.0	7.0	5.0
103	MES103J007040700	7.3	4.0	7.0	5.0	103	MES103J107040700	7.3	4.0	7.0	5.0
123	MES123J007040700	7.3	4.0	7.0	5.0	123	MES123J107040700	7.3	4.0	7.0	5.0
153	MES153J007040700	7.3	4.0	7.0	5.0	153	MES153J107040700	7.3	4.0	7.0	5.0
183	MES183J007040700	7.3	4.0	7.0	5.0	183	MES183J107040700	7.3	4.0	7.0	5.0
223	MES223J007040700	7.3	4.0	7.0	5.0	223	MES223J107040700	7.3	4.0	7.0	5.0
273	MES273J007040700	7.3	4.0	7.0	5.0	273	MES273J107040700	7.3	4.0	7.0	5.0
333	MES333J007040700	7.3	4.0	7.5	5.0	333	MES333J107040700	7.3	4.0	7.5	5.0
393	MES393J007050800	7.3	4.5	7.5	5.0	393	MES393J107050800	7.3	4.5	7.5	5.0
473	MES473J007050800	7.3	4.5	7.5	5.0	473	MES473J107050800	7.3	4.5	7.5	5.0
563	MES563J007050800	7.3	4.5	8.0	5.0	563	MES563J107050800	7.3	4.5	8.0	5.0
683	MES683J007050800	7.3	4.5	8.0	5.0	683	MES683J107050800	7.3	4.5	8.0	5.0
823	MES823J007050800	7.3	4.5	8.0	5.0	823	MES823J107050800	7.3	4.5	8.0	5.0
104	MES104J007051000	7.3	4.5	9.5	5.0	104	MES104J107051000	7.3	4.5	9.5	5.0
124	MES124J010050800	10.2	4.5	8.0	7.5	124	MES124J110050800	10.2	4.5	8.0	7.5
154	MES154J010050900	10.2	4.5	9.0	7.5	154	MES154J110050900	10.2	4.5	9.0	7.5
184	MES184J010050900	10.2	4.5	9.0	7.5	184	MES184J110050900	10.2	4.5	9.0	7.5
224	MES224J010051000	10.2	5.0	9.5	7.5	224	MES224J110051000	10.2	5.0	9.5	7.5
274	MES274J010061000	10.2	5.5	10.0	7.5	274	MES274J110061000	10.2	5.5	10.0	7.5
334	MES334J010050800	10.2	5.0	8.0	7.5	334	MES334J110050800	10.2	5.0	8.0	7.5
394	MES394J0100509000	10.2	5.0	8.5	7.5	394	MES394J110050900	10.2	5.0	8.5	7.5
474	MES474J0100610000	10.2	6.0	10.2	7.5	474	MES474J110061000	10.2	6.0	10.2	7.5
564	MES564J0100609000	10.2	6.0	9.0	7.5	564	MES564J110060900	10.2	6.0	9.0	7.5
684	MES684J0100709000	10.2	6.5	9.0	7.5	684	MES684J110070900	10.2	6.5	9.0	7.5
824	MES824J0100710000	10.2	7.0	10.0	7.5	824	MES824J110071000	10.2	7.0	10.0	7.5
105	MES105J0100811000	10.2	7.5	11.0	7.5	105	MES105J110081100	10.2	7.5	11.0	7.5